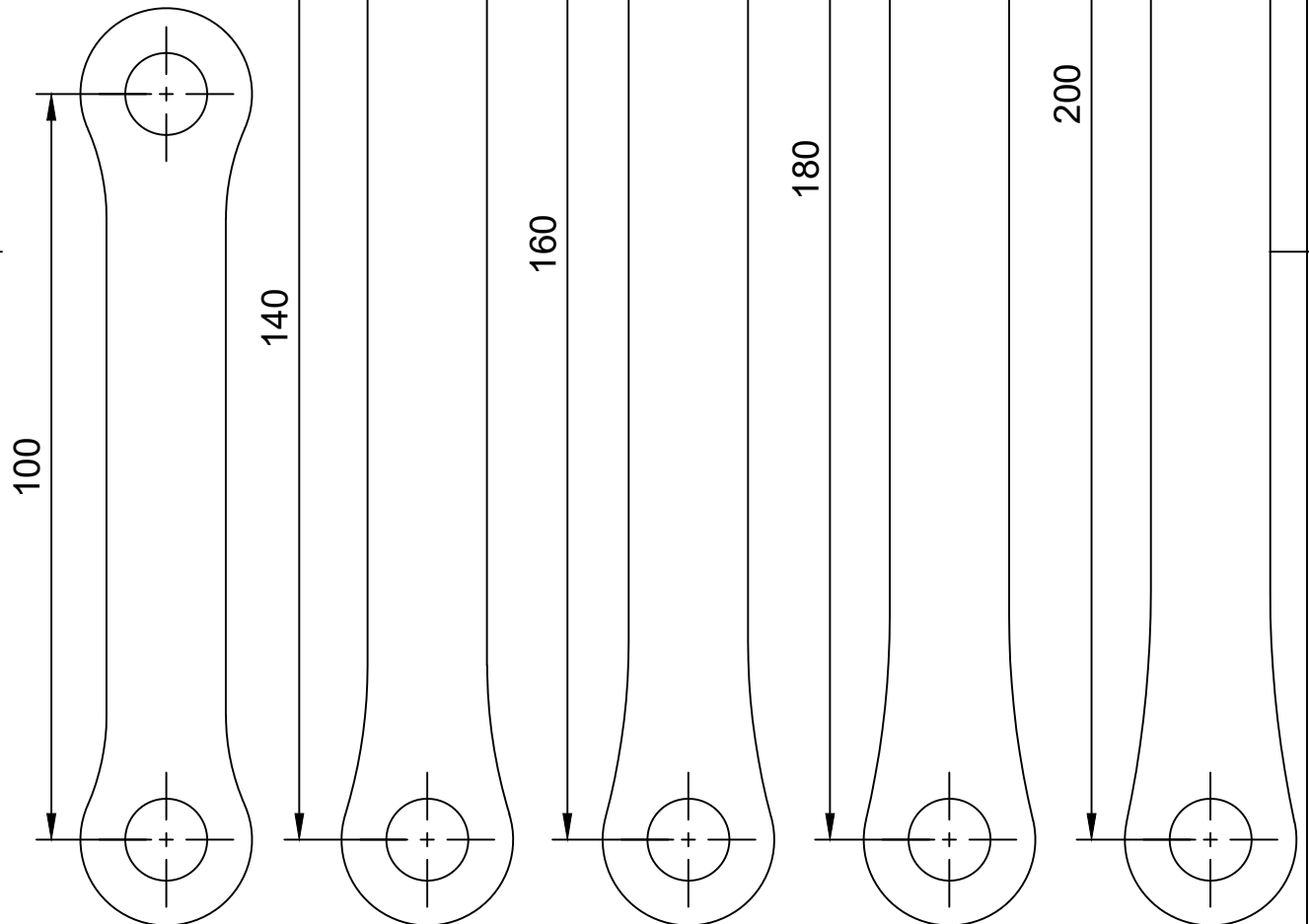


CUT FROM 8MM MILD STEEL

VARIOUS LENGTHS
AVAILABLE, HOLE SIZE
STANDARDIZED TO 11MM



Scale: 1:1	UNLESS OTHERWISE SPECIFIED: DIMENSIONS ARE IN MILLIMETERS	Created by Daniel Mason	24/06/2020	Approved by DANIEL MASON	24/06/22
DO NOT SCALE DRAWING		Document type PUBLIC DOMAIN		Document status APPROVED FOR SALE	
<p>3rd ANGLE PROJECTION</p>		<p>MINIATURE RAILWAY WORKSHOP LTD</p>		DWG No. P8-Asm-2--DM--0	
				Description 11mmID Couling Bar Sizes	
Rev. 1	Date of issue 24/06/22	Sheet 1/6			